

## Distributor Fitment and Removal of Ford Distributor MPI & CFI

INSPECT DRIVE GEAR IN ENGINE AND ENSURE IT IS NOT WORN. ANY WEAR ON THIS GEAR WILL MESH DIFFERENTLY WITH A NEW DISTRIBUTOR GEAR AND CAUSE PERMATURE FAILURE.

**IF WORN USE OLD DISTRIBUTOR GEAR**

**COMPLETELY LUBE GEAR TO ASSIST NEW MESHING PROCESS. FAILURE TO DO SO WILL VOID WARRANTY.**

Note: Multipoint has 5 even and one half chopper vanes, Centre point has 6 even chopper vanes.

- To remove distributor rotate the Crankshaft until No1 piston is at top dead centre (TDC)
- Do not rotate the crankshaft while the distributor is removed or it will be necessary to retime the engine. Always check ignition coil for cracks as this will cause failure.
- We recommend replacing coil when replacing distributor: A cracked or low resistance coil will affect operation of the distributor.

### Warranty Terms & Conditions

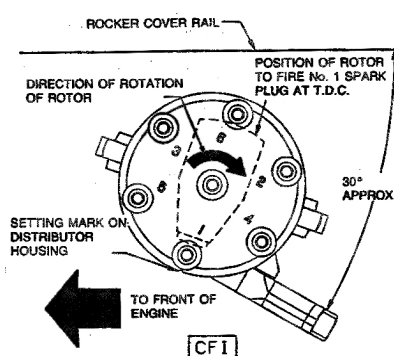
All parts are covered by a 12 month or 20,000km warranty (whichever comes first) unless otherwise stated. Our distributors are warranted against defect material and / or workmanship provided the unit is fitted in accordance with the manufacturers instructions and all other necessary repairs and testing to the vehicle are performed prior to installation of the unit so as to avoid possible damage. The warranty extends to the repair of the replacement unit only, and within the warranty period. Warranty does not cover labor, consequential damage, injury to person or persons, towing, accommodation or loss of income, engine backfire damage, tampering, physical damage, negligence or damage caused by vehicles modified from the manufacturers specification, where a fault can be contributed to a cause outside the electronic component.

**If a RAE unit is suspected to be faulty the supplier must be notified immediately so that testing & repairs, if necessary may be undertaken. Removal or dismantling of the unit will render warranty void.**

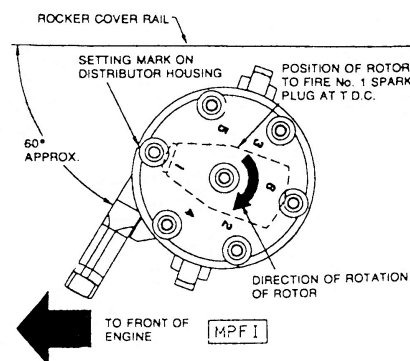
Warranty starts from the date of sale to the end user (proof of purchase must accompany any warranty claim). If a part is replaced during the warranty period, the initial warranty period remains. A new warranty period does not begin with the replacement part.

**All units must be returned for inspection and testing prior to any warranty being implied or accepted.**

Any independent or alternate testing or repairs required will be carried out at the customers expense if the unit is deemed serviceable, or has been subject to neglect or other factors causing failure.



Centre point distributor



Multi point distributor